

Vessel Data Sheet

Design Parameters	
Pressure, Max. at Inlet	285 psi
Temperature	100 F
Corrosion Allow.	0.00"
Code Standard	ASME Sect. VIII, Div. 1
Stamped?	No

Operating Parameters	
Pressure, Max.	285 psi
Temperature	100 F
Gas Flow Rate	3.6 MMscfh @ 285 psi
Gas Specific Gravity	0.65

Vessel Testing	
Hydrotest Pressure	428 psi
Pneumatic Test Pressure	N/A
Radiograph	Optional
Magnetic Particle	Optional
Dye Penetrant	Optional

Filtration Performance	
Filter Element P/N	2490K5
Type of Filter Media	Polyester Felt
Retention Rating	10 micron
Efficiency of Retention	99.9%
No. of Elements	1
Design Clean Press. Drop	0.5 psid
Changeout Press. Drop	10 psid

Closure Specifications	
Type	Blind Flange
Gasket Type	P/N 16-150
Type of Lifting Assistance	Lift Lug/Handle

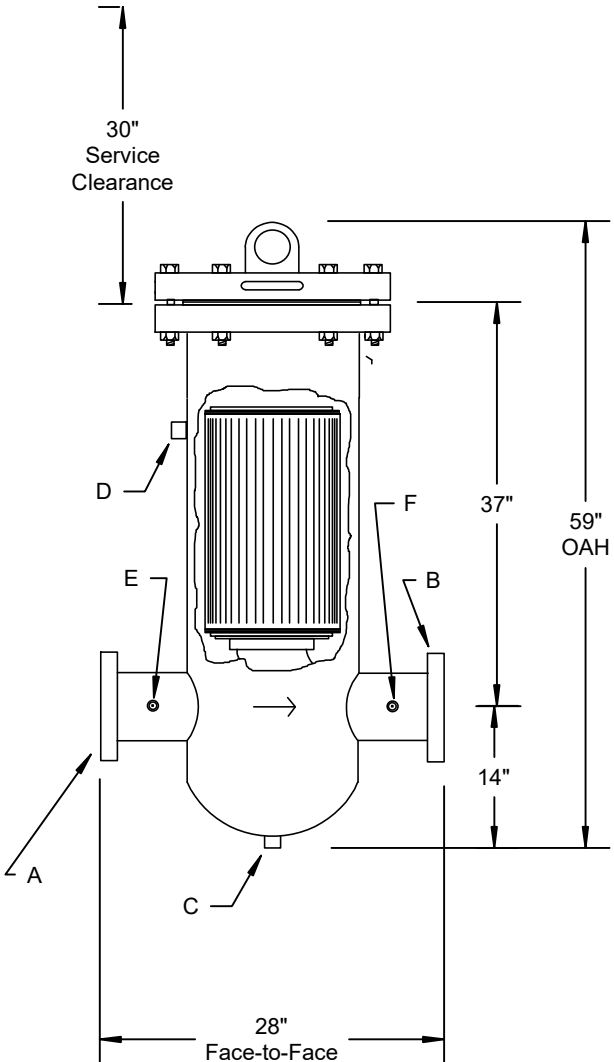
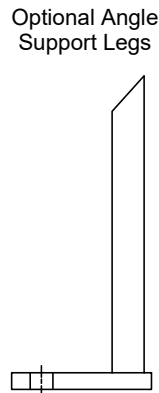
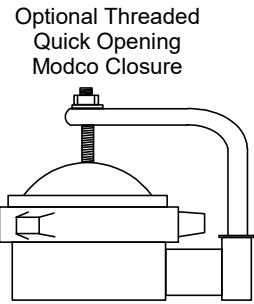
Internal Finish	
Sandblast	Light
Oil Coat	None
Glyptol Coat	None

External Finish	
Sandblast	SP-10 Commercial
Finish Coat	Sherwin Williams Industrial Enamel Primer/Finish, Grey

Schedule of Openings						
Service	See Dwg.	Qty.	Size	Rating	Type	
Inlet	A	1	8"	150# ANSI	Flange	
Outlet	B	1	8"	150# ANSI	Flange	
Drain	C	1	1"	3000#	Coupling	
Vent	D	1	1"	3000#	Coupling	
Press. Tap	E	1	1/4"	3000#	Coupling	
Press. Tap	F	1	1/4"	3000#	Coupling	

Materials of Construction		
		Thickness
Shell	SA53B	0.375"
Bottom Head	SA234WPB	0.375"
Closure Head	Blind Flg	
In/Out Piping	SA53B	0.500"
Flanges	SA105	ANSI 150# RF
Couplings	SA105	
Closure Gasket	Inorganic Fiber	
Closure Bolts	SA194-Gr 5	
Legs	N/A	
Ring Base	N/A	

Shipping Information	
Total Weight	850#



FilterFab
MANUFACTURING CORPORATION

Model F8-180/285F Data Sheet