

# VESSEL DATA SHEET

| Design Parameters       |                         |
|-------------------------|-------------------------|
| Pressure, Max. at Inlet | 740 psi                 |
| Temperature             | 100 F                   |
| Corrosion Allow.        | 0.00"                   |
| Code Standard           | ASME Sect. VIII, Div. 1 |
| Stamped?                | No                      |

| Operating Parameters |                      |
|----------------------|----------------------|
| Pressure, Max.       | 740 psi              |
| Temperature          | 100 F                |
| Typical Flow Rate    | 1.9 MMscfh @ 740 psi |
| Gas Specific Gravity | 0.60                 |

| Vessel Testing          |          |
|-------------------------|----------|
| Hydrotest Pressure      | 1110 psi |
| Pneumatic Test Pressure | N/A      |
| Radiograph              | None     |
| Magnetic Particle       | None     |
| Dye Penetrant           | None     |

| Filtration Performance   |                    |
|--------------------------|--------------------|
| Filter Element P/N       | 2022K5             |
| Type of Filter Media     | Polyester          |
| Retention Rating         | 10 micron          |
| Efficiency of Retention  | 99.9%              |
| No. of Elements          | 1                  |
| Design Clean Press. Drop | Less than 1.0 psid |
| Changeout Press. Drop    | At 9 psid          |

| Closure Specifications     |                    |
|----------------------------|--------------------|
| Type                       | Blind Flange       |
| Gasket Type                | P/N 8-300          |
| Type of Lifting Assistance | Lifting Lug/Handle |

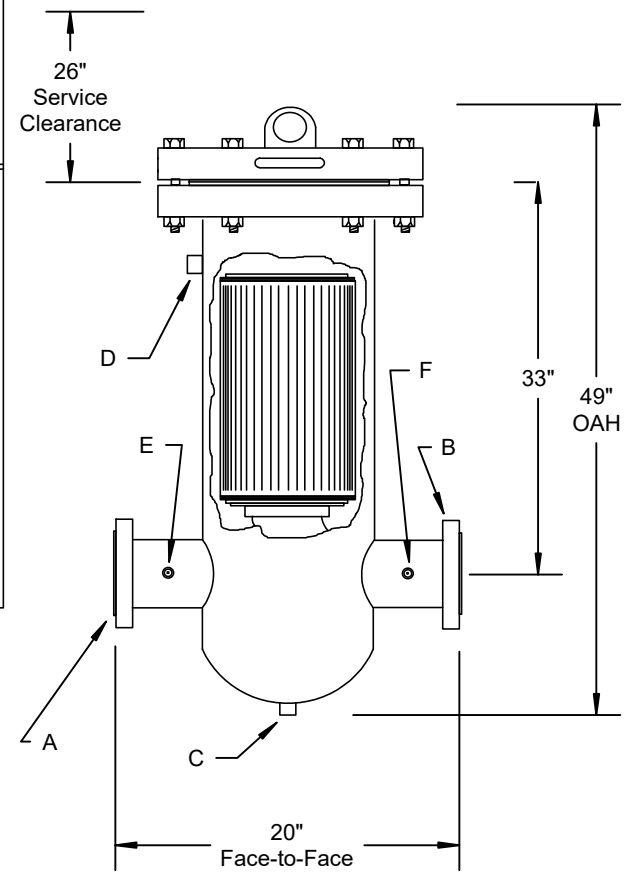
| Internal Finish |       |
|-----------------|-------|
| Sandblast       | Light |
| Oil Coat        | None  |
| Glyptol Coat    | None  |

| External Finish |   |
|-----------------|---|
| Sandblast       | SP-10 Commercial                                |
| Finish Coat     | (2) Coats Grey Enamel<br>Direct-to-Metal Finish |

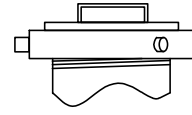
| Schedule of Openings |          |      |      |           |          |  |
|----------------------|----------|------|------|-----------|----------|--|
| Service              | See Dwg. | Qty. | Size | Rating    | Type     |  |
| Inlet                | A        | 1    | 4"   | 300# ANSI | Flange   |  |
| Outlet               | B        | 1    | 4"   | 300# ANSI | Flange   |  |
| Drain                | C        | 1    | 1/2" |           | Coupling |  |
| Vent                 | D        | 1    | 1/2" |           | Coupling |  |
| Press. Tap           | E        | 1    | 1/4" |           | Coupling |  |
| Press. Tap           | F        | 1    | 1/4" |           | Coupling |  |

| Materials of Construction |                   |                  |
|---------------------------|-------------------|------------------|
|                           |                   | Thickness        |
| Shell                     | SA53B             | 0.322"           |
| Bottom Head               | SA234WPB          | 0.322"           |
| Closure Head              | SA105             | ANSI 300# Flange |
| In/Out Piping             | SA53B             | 0.337"           |
| Flanges                   | SA105             | ANSI 300# RF Fig |
| Couplings                 | SA105             | 3000#            |
| Closure Gasket            | Fiber Flat Gasket |                  |
| Closure Pipe              | N/A               |                  |
| Legs                      | N/A               |                  |
| Ring Base                 | N/A               |                  |

| Shipping Information |      |  |
|----------------------|------|--|
| Total Weight         | 350# |  |



Optional Threaded  
Quick Opening  
Kimray Knock-Off  
Closure



**FilterFab**  
MANUFACTURING CORPORATION

Model F4-740F Gas Line Filter