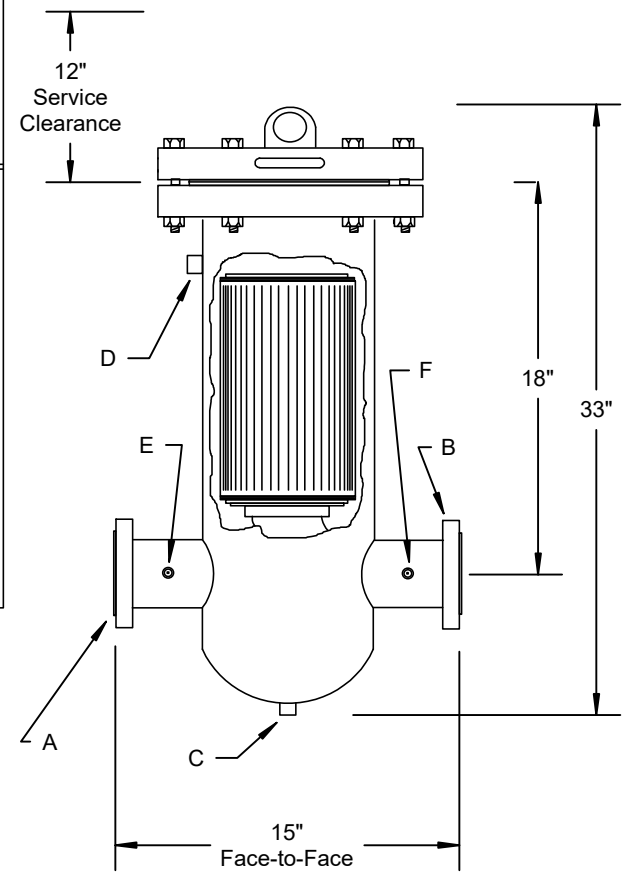
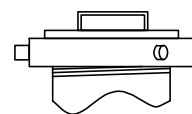


VESSEL DATA SHEET

Design Parameters		Schedule of Openings					
Pressure, Max. at Inlet	1,480 psi	Service	See Dwg.	Qty.	Size	Rating	Type
Temperature	100 F	Inlet	A	1	2"	600# ANSI	Flange
Corrosion Allow.	0.00"	Outlet	B	1	2"	600# ANSI	Flange
Code Standard	ASME Sect. VIII, Div. 1	Drain	C	1	1/2"		Coupling
Stamped?	No	Vent	D	1	1/2"		Coupling
Operating Parameters		Press. Tap	E	1	1/4"		Coupling
Pressure, Max.	1,480 psi	Press. Tap	F	1	1/4"		Coupling
Temperature	100 F	Materials of Construction					
Typical Flow Rate	780,000 scfh @ 1400 psi	Shell	SA53B	Thickness	0.432"		
Gas Specific Gravity	0.60	Bottom Head	SA234WPB	0.432"			
Vessel Testing		Closure Head	SA105	ANSI 600# Flange			
Hydrotest Pressure	2,220 psi	In/Out Piping	SA53B	0.218"			
Pneumatic Test Pressure	N/A	Flanges	SA105	ANSI 600# RF Fig			
Radiograph	None	Couplings	SA105	3000#			
Magnetic Particle	None	Closure Gasket	Fiber Flat Gasket				
Dye Penetrant	None	Closure Pipe	N/A				
Filtration Performance		Legs	N/A				
Filter Element P/N	2385K140	Ring Base	N/A				
Type of Filter Media	Polyester/Cellulose Blend	Shipping Information					
Retention Rating	10 micron	Total Weight	320#				
Efficiency of Retention	99.9%						
No. of Elements	1						
Design Clean Press. Drop	Less than 1.0 psid						
Changeout Press. Drop	At 9 psid						
Closure Specifications							
Type	Blind Flange						
Gasket Type	P/N 6-600						
Type of Lifting Assistance	Lifting Lug/Handle						
Internal Finish							
Sandblast	Light						
Oil Coat	None						
Glyptol Coat	None						
External Finish							
Sandblast	SP-10 Commercial						
Finish Coat	(2) Coats Grey Enamel Direct-to-Metal Finish						



Optional Threaded
Quick Opening
Kimray Knock-Off
Closure



FilterFab
MANUFACTURING CORPORATION

Model F2-1480F Gas Line Filter